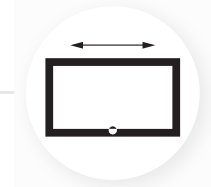


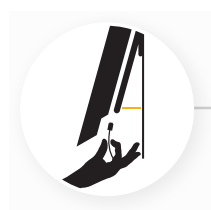
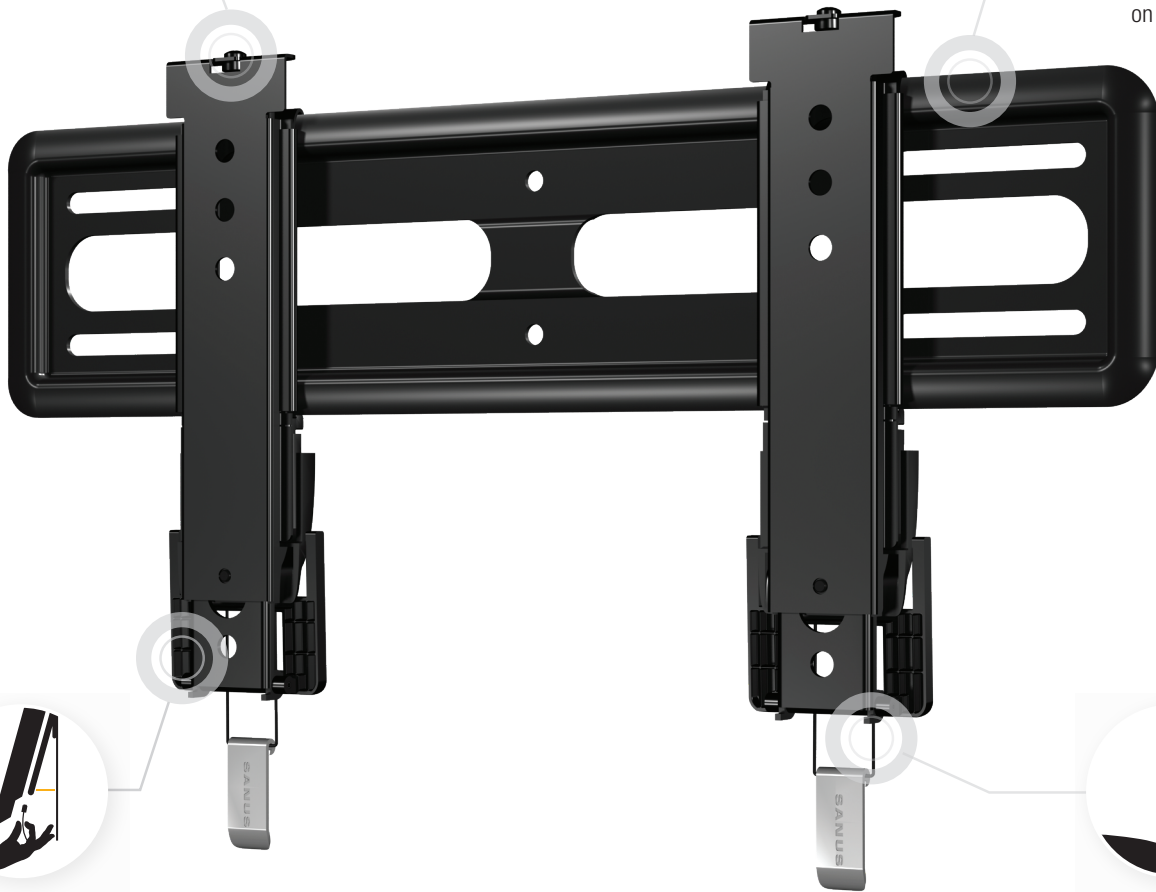
YOU'LL LOVE THIS MOUNT



Height and level adjust after installation



Slide TV side-to-side for perfect positioning on the wall



Mount tilts TV back to allow for easy cable access



Safety tab provides a safe and easy connection you can hear

FIXED | VML5

Installation and Feature Videos Available Online

FITS **40" - 50"** TVs
 HOLDS TVS UP TO 34 KG.

WALL DISTANCE 2.3 cm

- > EASY 1,2,3 INSTALLATION
- > SAFE AND SECURE

MOUNTING PATTERN

75x75	100x100	200x100	200x200	300x200	400x200	300x300	400x300	400x400	600x400	700x400	800x400	800x500	Random
			✓	✓	✓	✓	✓	✓					✓